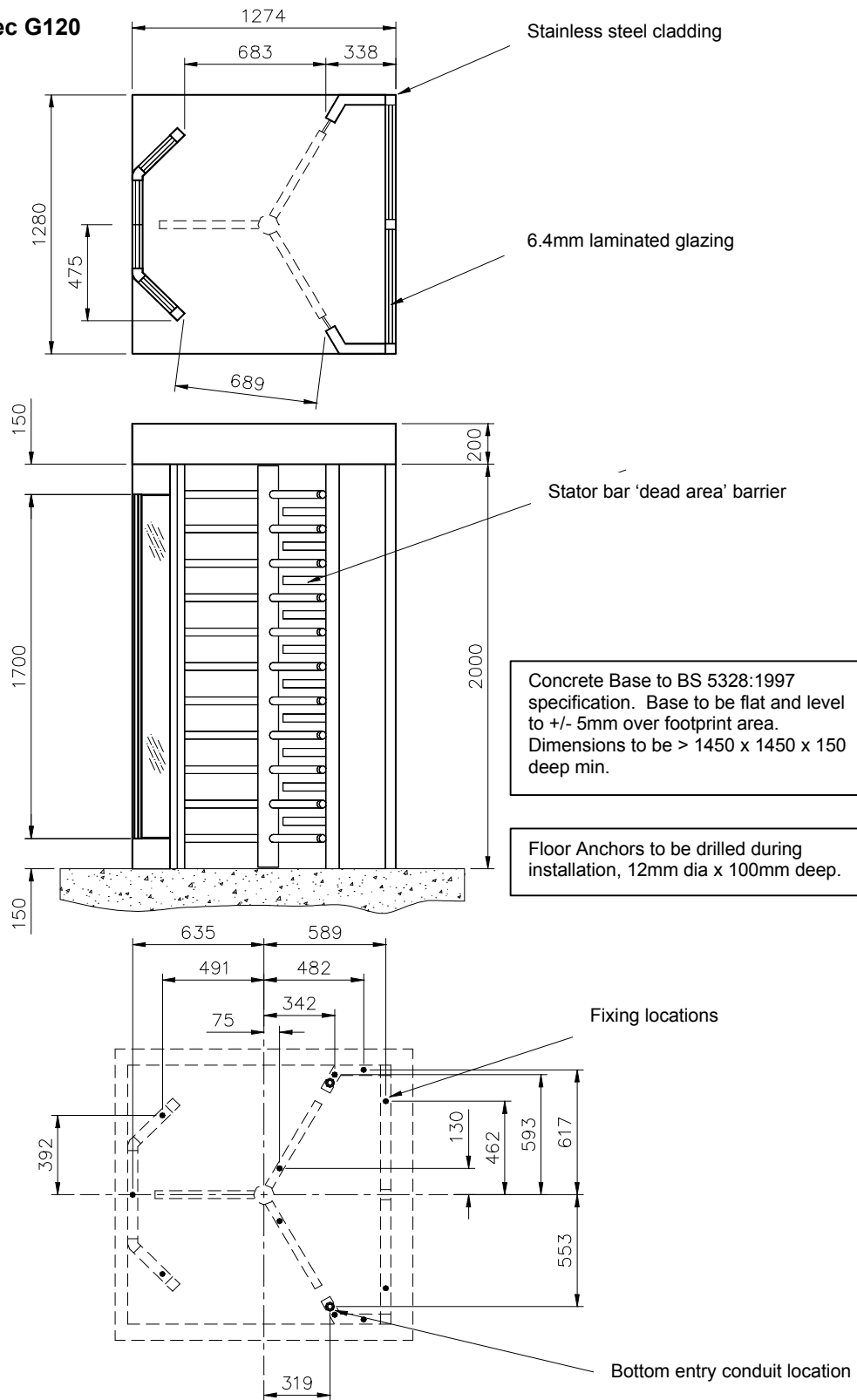


Site Preparation ClearSec G120

(Shown with straight bar rotor)

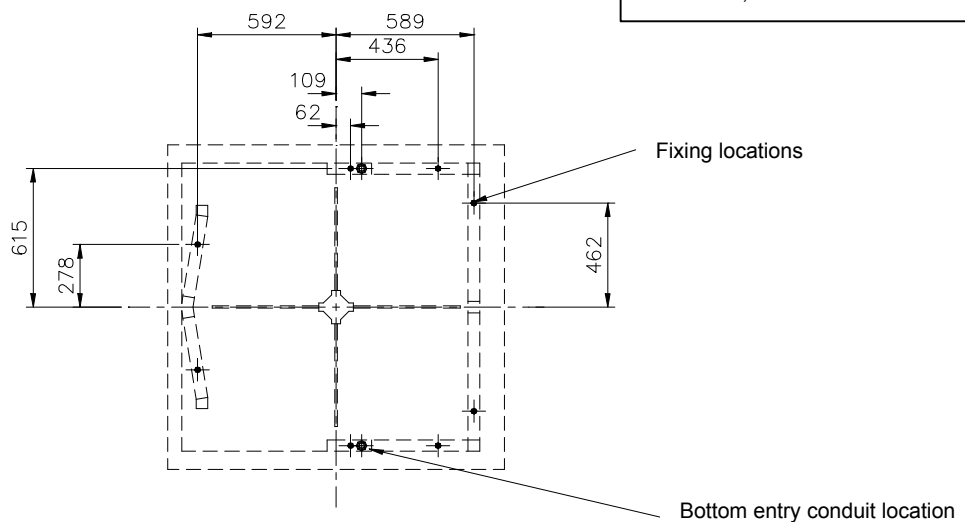
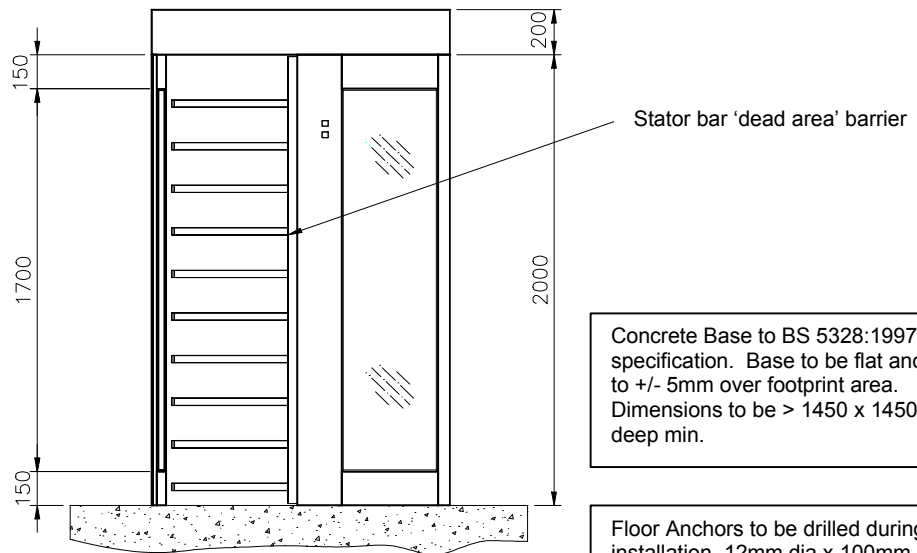
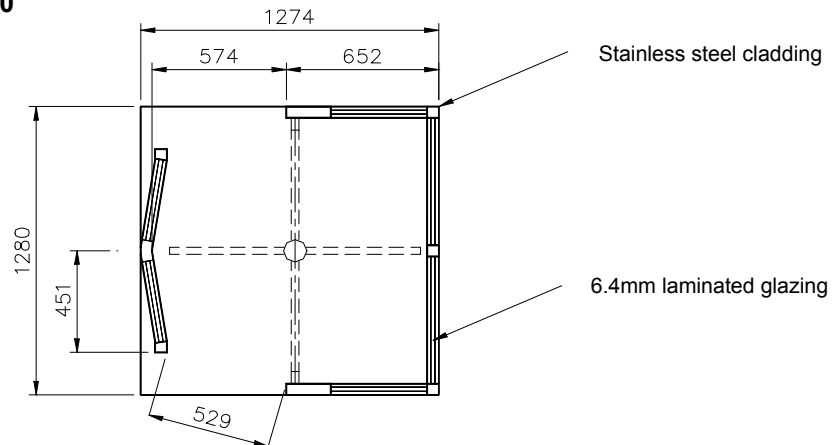


IMPORTANT

- Any horizontal pipe or conduit runs below the ClearSec must be at least 140mm below FFL.
- It is the customers responsibility to ensure the structural integrity and strength of the installation location.
 - 200mm clear clearance is needed above the ClearSec for service activities.

Site Preparation ClearSec G90

(Shown with straight bar rotor)



IMPORTANT

- Any horizontal pipe or conduit runs below the ClearSec must be at least 140mm below FFL.
- It is the customers responsibility to ensure the structural integrity and strength of the installation location.
 - 200mm clear clearance is needed above the ClearSec for service activities.